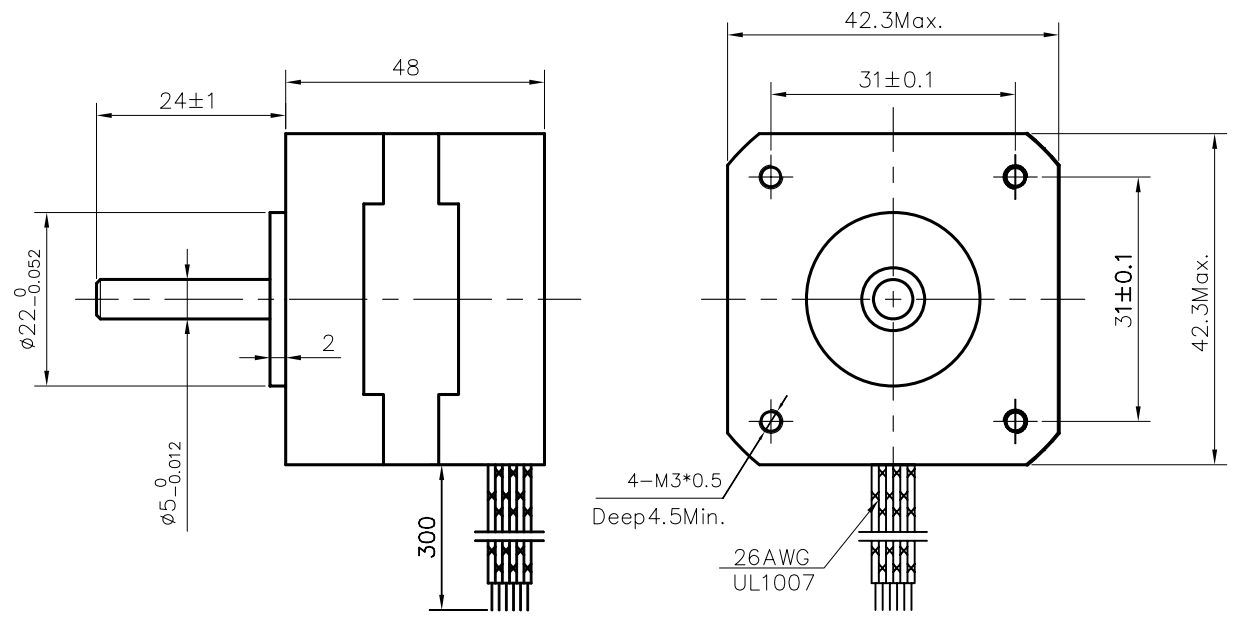


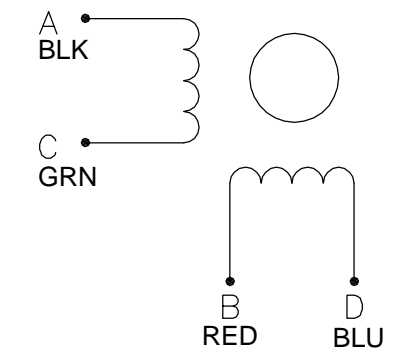
A B C D E F G H

CONTROL SIGNATURE:

Dimension:
Unit=mm



Wiring Diagram:



THE INFORMATION CONTAINED IN THIS DRAWING IS CONFIDENTIAL COPYRIGHT

1
2
3
4
5
6

SPECIFICATIONS			
STEP ANGLE	0.9°±5%	VOLTAGE	5V
PHASES	2	CURRENT/PHASE	1.0A
INSULATION RESISTANCE	100MΩ(500V DC)	INDUCTANCE/PHASE	11.5 ±20% Mh
CLASS OF INSULATION	B	RESISTANCE/PHASE	5.0 ±10%Ω
WEIGHT	0.34Kg Max	HOLDING TORQUE	4.4Kgf.cm

SCALE	UNIT	mm
	SIZE	A4
DRAWN Luke Chen		
CHECKED		
APPROVED		

A	1ST ISSUE	131203
REV.	EPO#	DATE
UNSPECIFIED TOLERANCE:		
MATERIAL		TITLE
		ST-42BYH1004-5013
FINISH		SHEET 1 OF 1 REV A
		DWG.NO. ST-42BYH1004-128#